

REV.	Description	REV.	Description
00	Issue spec.		
	Drawing: 尹維鑛 20160727		Design: 尹維鑛 20160727



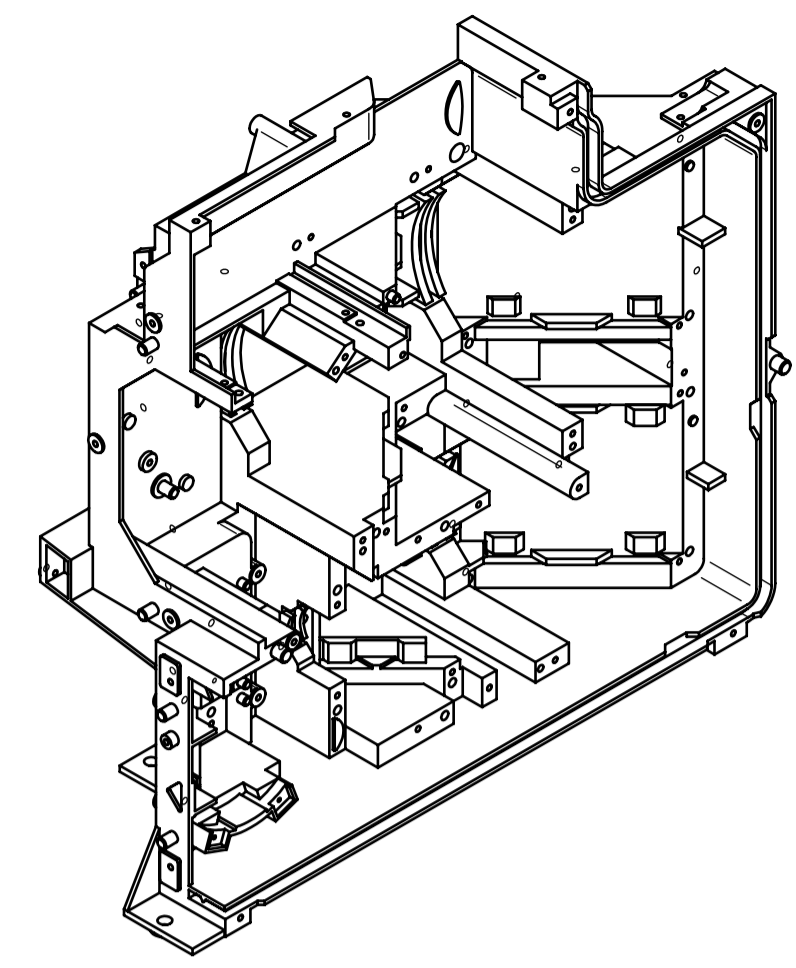
台達電子工業股份有限公司
DELTA ELECTRONICS, INC.

Description: BASE MG ALLOY LS M

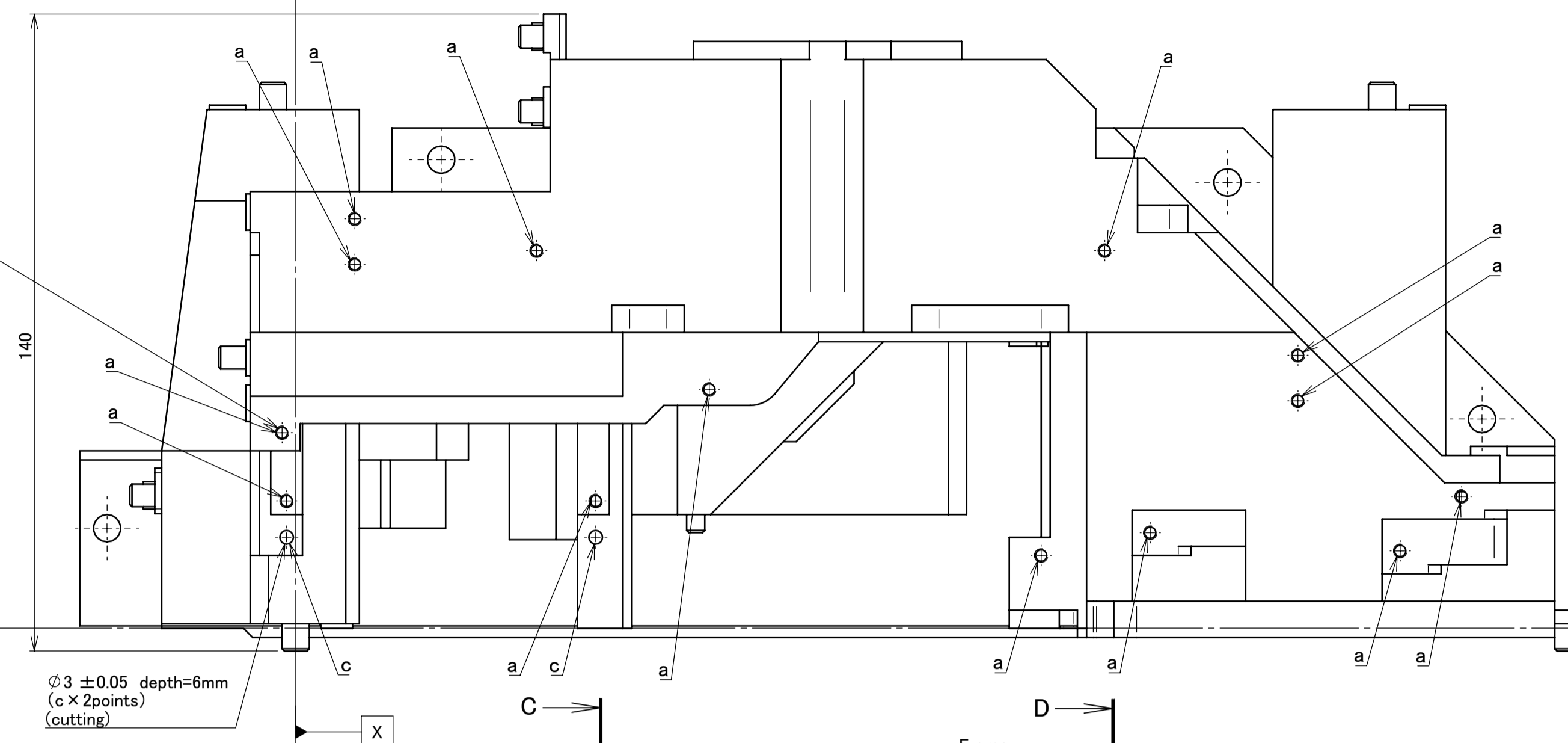
THESE DRAWINGS AND SPECIFICATIONS ARE THE PROPERTY OF DELTA ELECTRONICS, INC. AND SHALL NOT BE REPRODUCED OR USED AS THE BASIS FOR THE MANUFACTURE OR SELL OF APPARATUSES OR DEVICES WITHOUT PERMISSION.

Part No.	3450962600	REV.
USED ON	Queen	00
SHEET	1 OF 1	

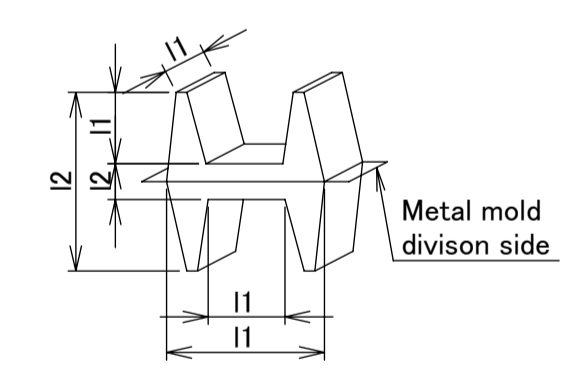
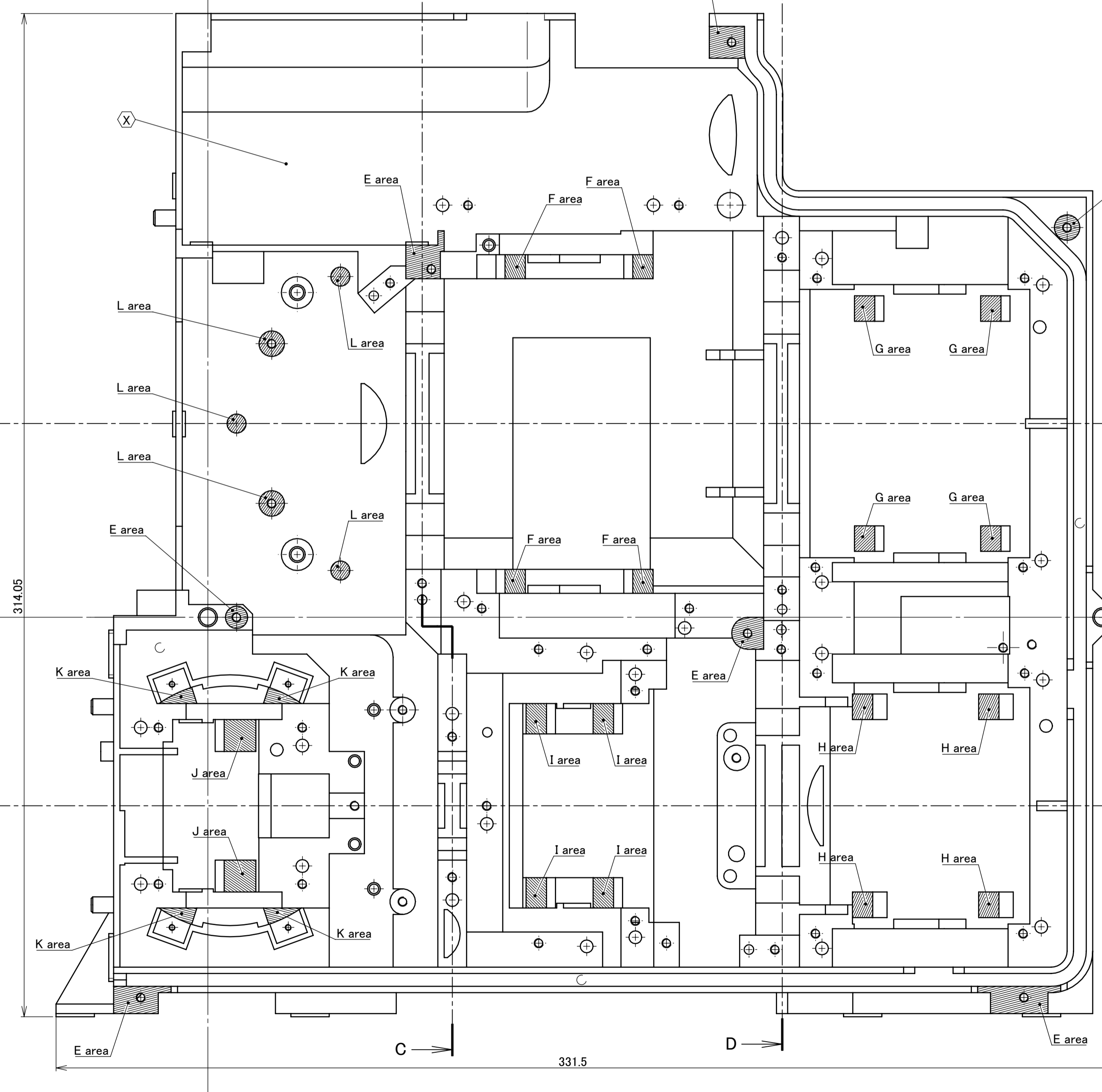
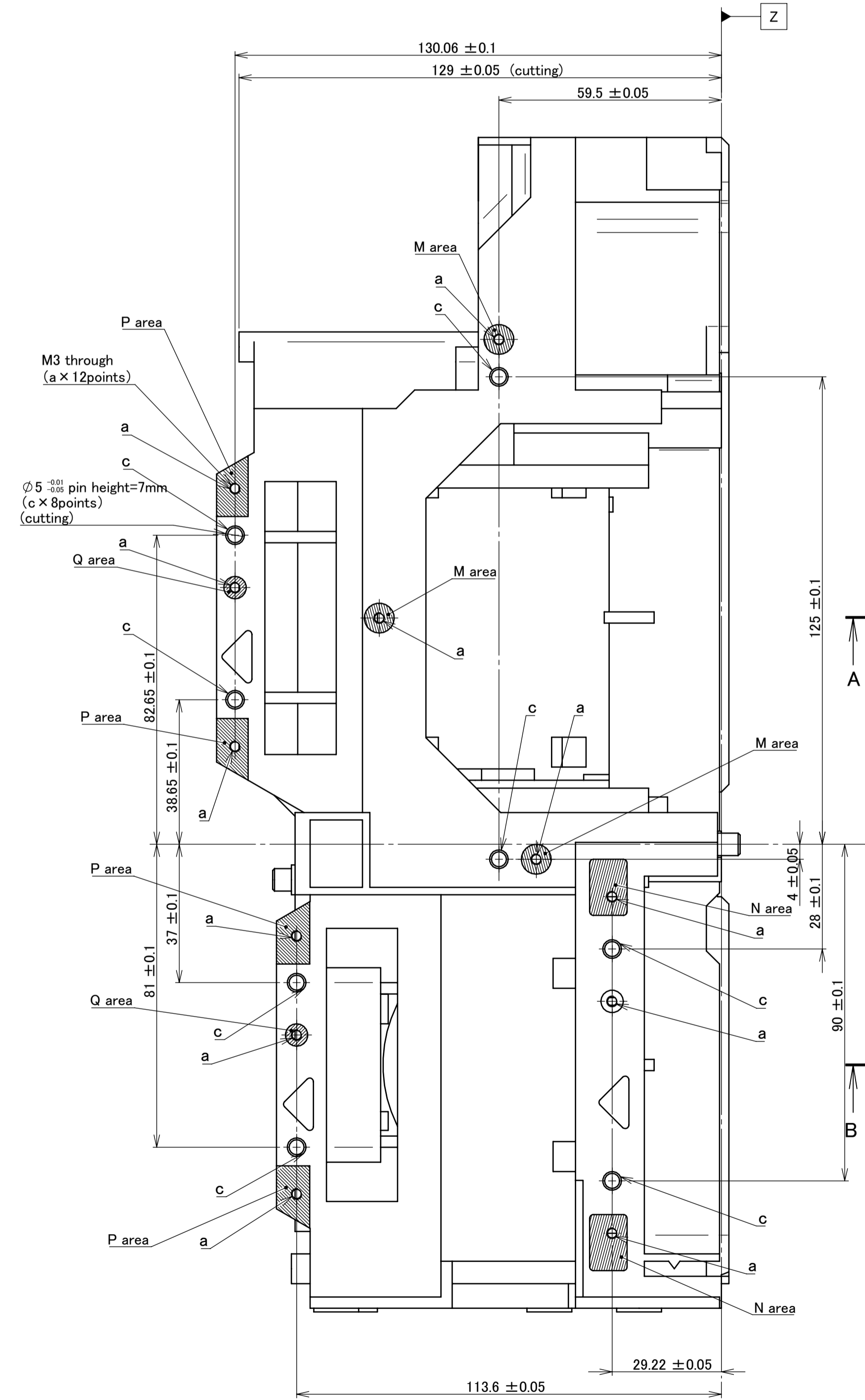
REV	DESCRIPTION	APPD
1		



M3 depth=10 or through
(a x 14 points)



0.05 CZ
7 x E area
(cutting)



DIMENSIONAL TOLERANCE		
DIMENSIONAL DIVISION	11	12
≤ 10	± 0.1	± 0.2
10 < l ≤ 16	± 0.1	± 0.2
16 < l ≤ 25	± 0.2	± 0.3
25 < l ≤ 40	± 0.2	± 0.3
40 < l ≤ 63	± 0.2	± 0.3
63 < l ≤ 100	± 0.3	± 0.4
100 < l ≤ 160	± 0.3	± 0.4
160 < l ≤ 250	± 0.4	± 0.5
250 < l ≤ 400	± 0.6	± 0.7

※NIS-M-6109

NOTE
1. THIS DRAWING FOLLOWS "RULES OF OMISSION OF DIMENSIONS, IF IT HAVE OFFICIAL 3D DATA RELEASED."
2. DIMENSIONS INDICATE AS FOLLOWS.



3. TO BE FREE OF FLASH.
4. MATERIAL MUST BE SUBMITTED TO NEC ENGINEERING DEPT.
5. THIS PRODUCT MUST COMPLY WITH "STANDARDS PERTAINING TO PROCUREMENT RESTRICTIONS FOR THE INCLUSION OF CHEMICAL SUBSTANCE IN PRODUCTS (EKSS-011)" BY NEC DISPLAY SOLUTIONS,LTD.
6. (X) MARK IS X-RAY FLUORESCENCE ANALYSIS CHECK POINT.

フィルム
AP ROLL
整理期限
整理番号

AZ91D		CHEMICAL CONVERSION TREATMENT	
MATERIAL		FINISH	
ENGINEER	ENGLAPPD	DRAWN	CHECKED APPROVED
		Kobayashi	

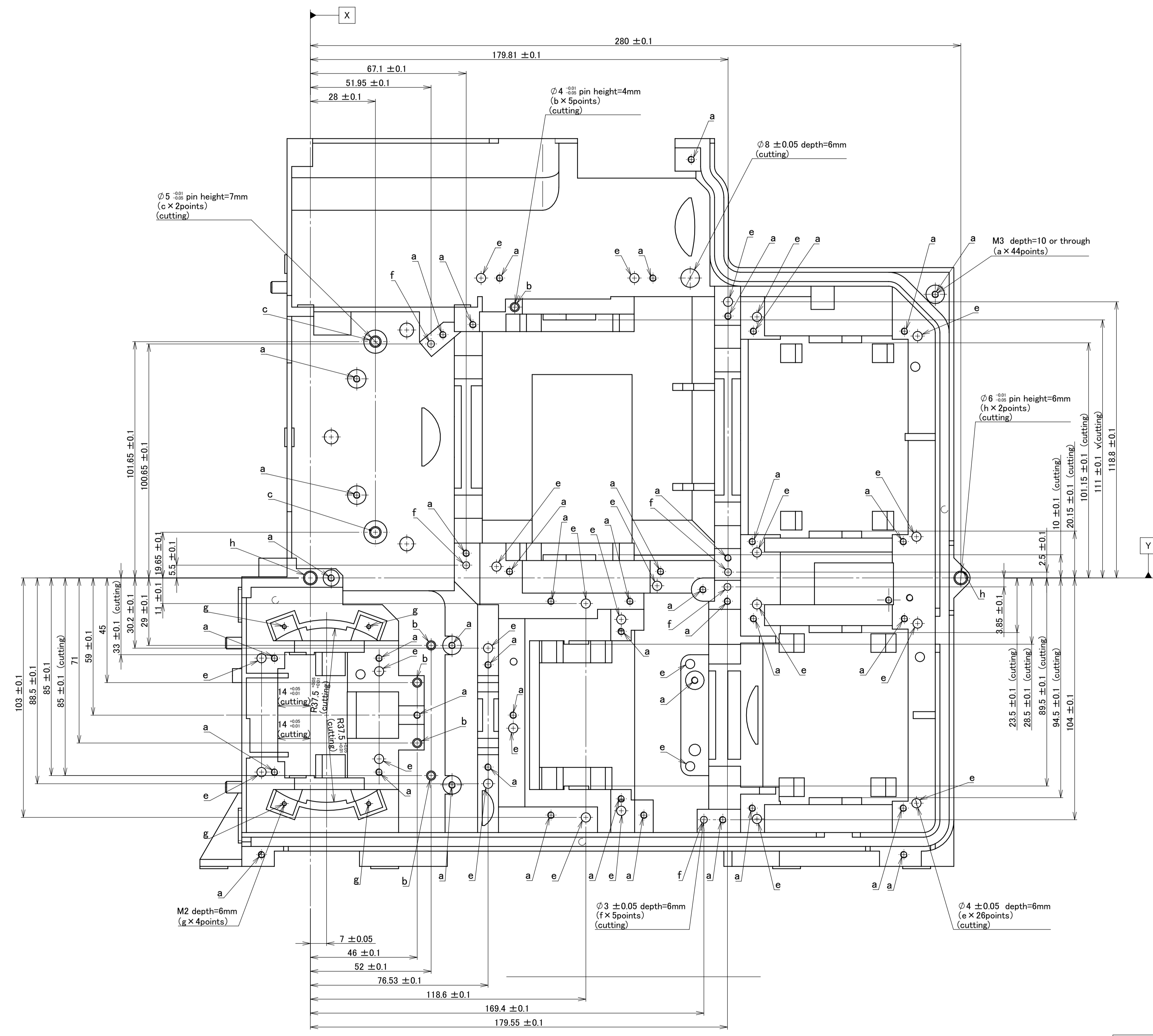
MODEL	SCALE
ASSY	1:1

LS BASE(M)

(1/5)

NEC Display Solutions,Ltd.

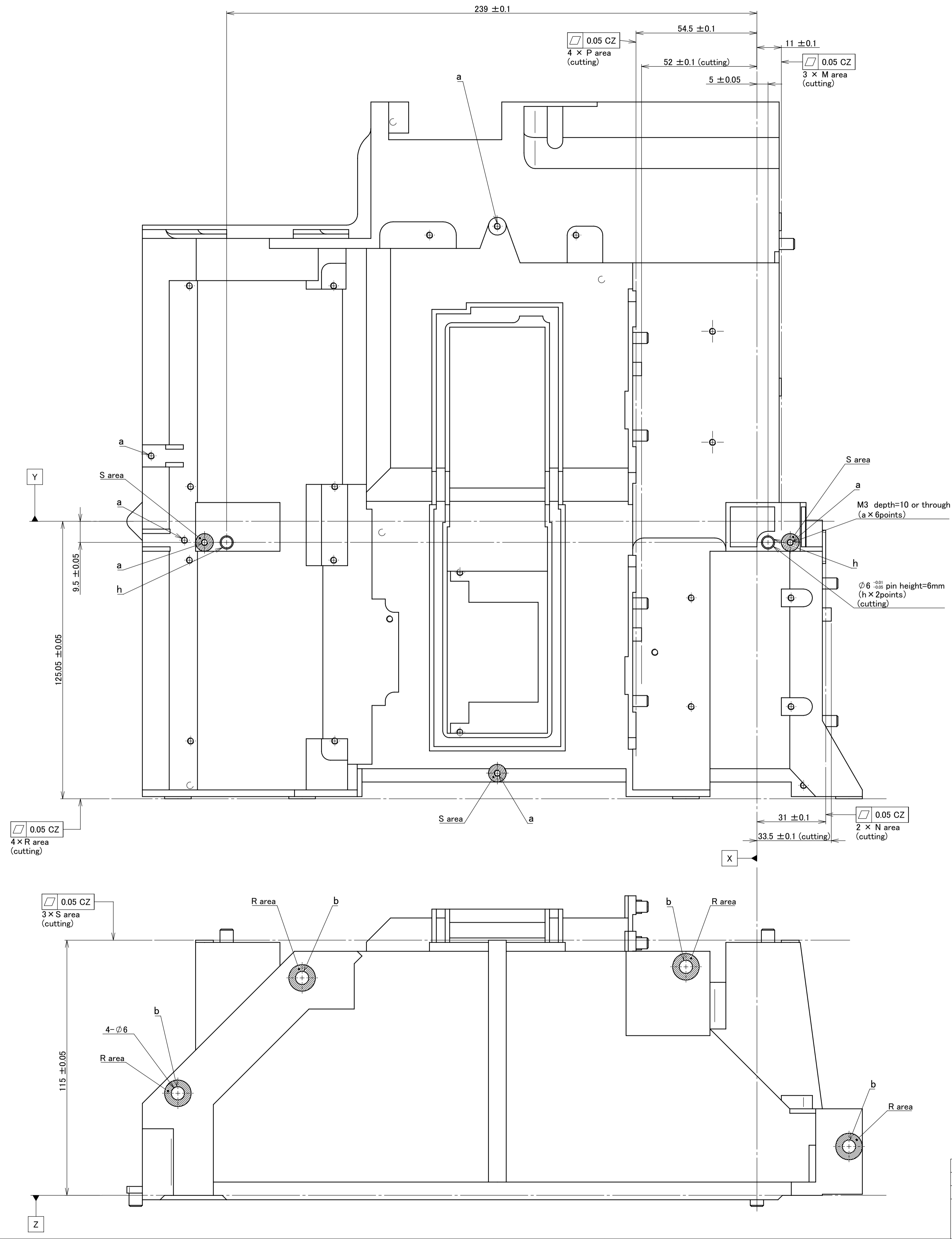
REV	DESCRIPTION	APPD
1		



フィルム
AP ROLL
整理期限
整理番号

MATERIAL		DIMENSIONS		FINISH		UNITS
ENGINEER	ENG.APPD	CHECKED	APPROVED			
				LS BASE(M)		(2/5)
NEC Display Solutions, Ltd.						

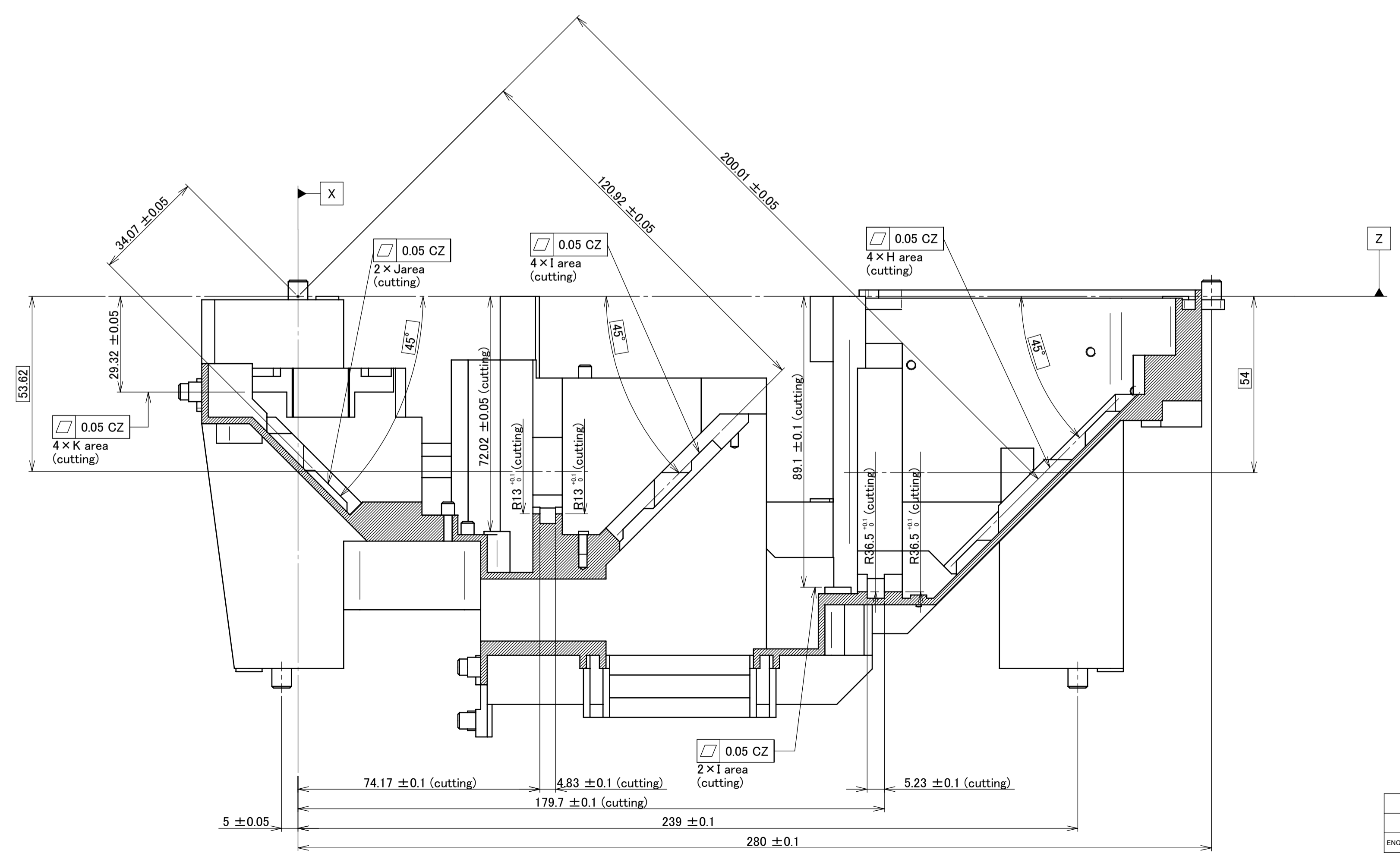
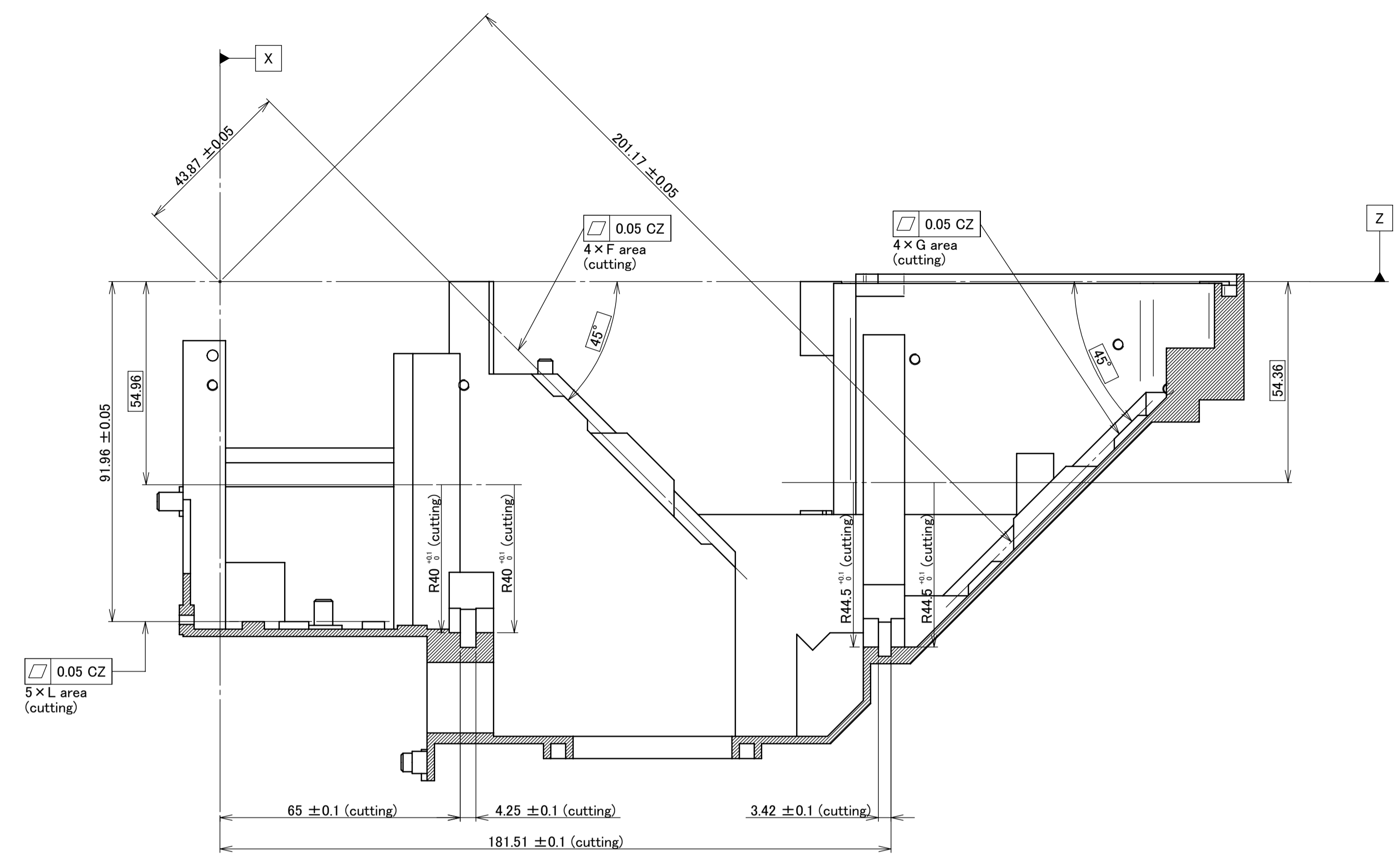
REV	DESCRIPTION	APPD
1		



フィルム
AP ROLL
整理期限
整理番号

MATERIAL		DIMENSIONS		FINISH		UNITS
ENGINEER	ENG APPD	DRAWN	CHECKED	APPROVED		
					LS BASE (M)	(3/5)
NEC Display Solutions, Ltd.						

REV	DESCRIPTION	APPD
1		



フィルム
AP ROLL
整理期限
整理番号

MATERIAL		DIMENSIONS		FINISH	
ENGINEER	ENG APPD	DRAWN	CHECKED	APPROVED	UNITS
					LS BASE(M)

UNLESS OTHERWISE SPECIFIED ALL TOLERANCES TO BE IN ACCORDANCE WITH NEC STD.

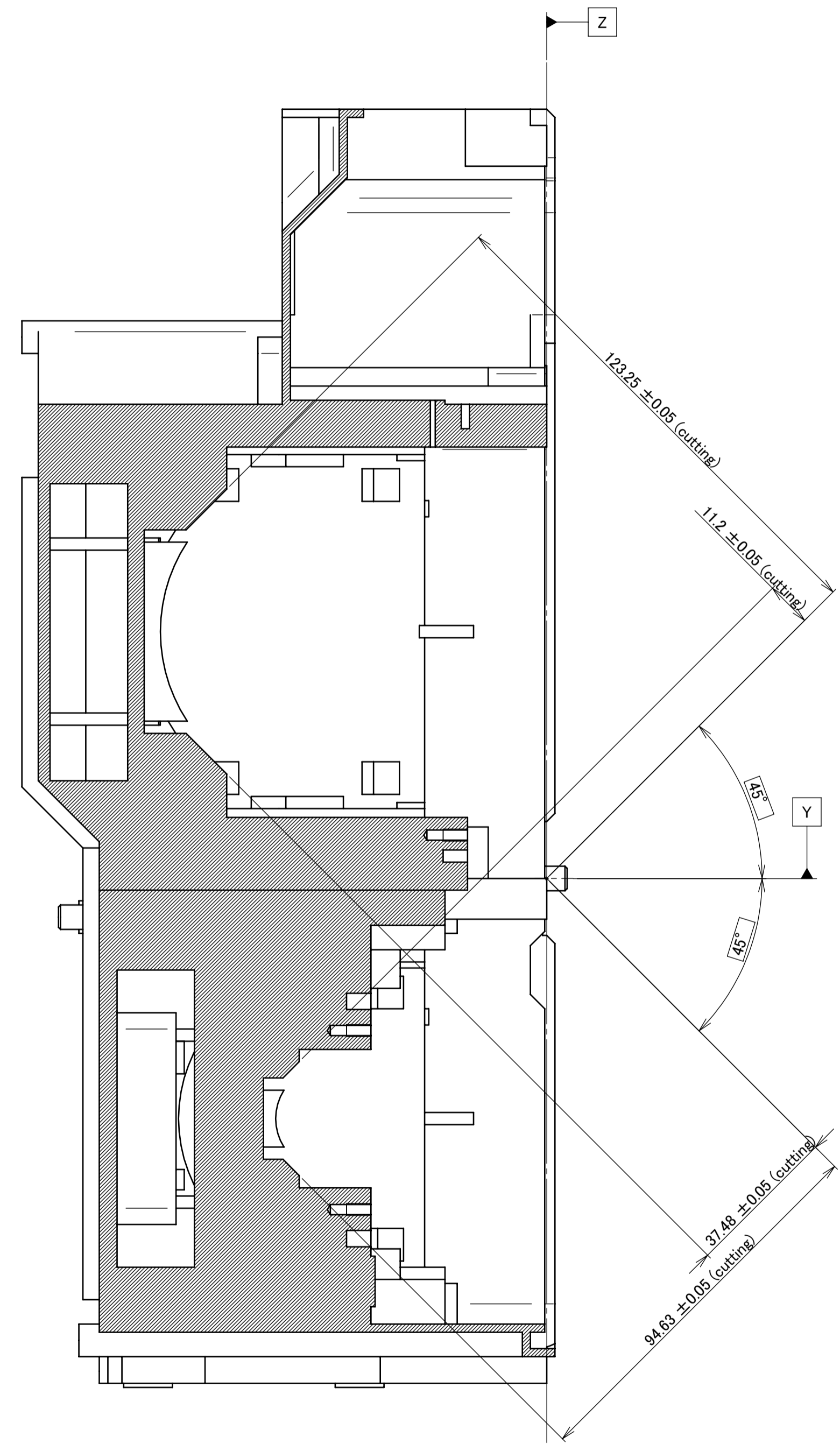
THIRD ANGLE PROJECTION SCALE 1:1

MODEL ASSY

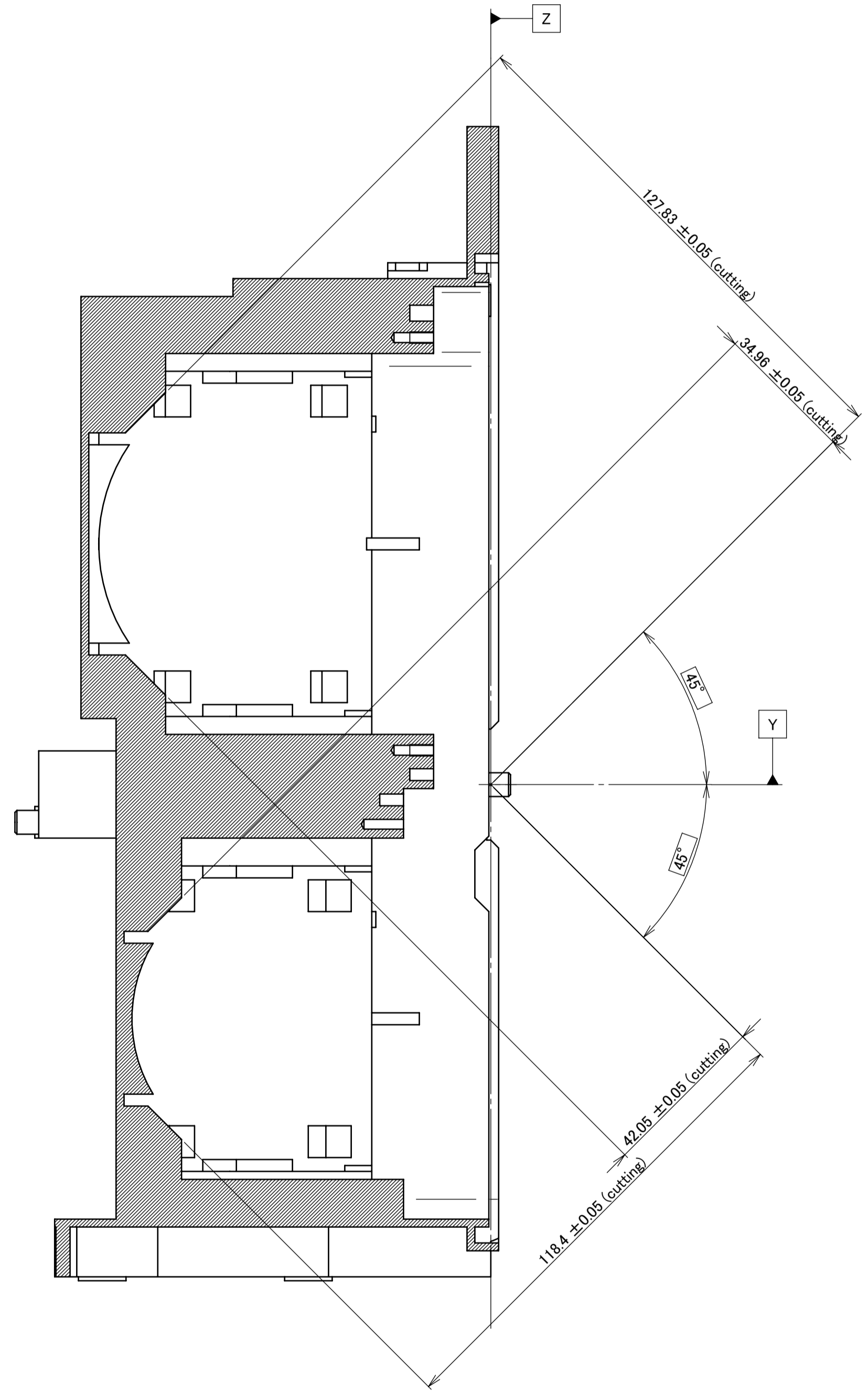
(4/5)

NEC Display Solutions, Ltd.

REV	DESCRIPTION	APPD
1		



SEC. C-C



SEC. D-D

フィルム
AP ROLL
整理期限
整理番号

MATERIAL		DIMENSIONS		FINISH		UNITS
ENGINEER	ENG.APPD	CHECKED	APPROVED			
(5/5)						

UNLESS OTHERWISE SPECIFIED ALL TOLERANCES TO BE IN ACCORDANCE WITH NEC STD.
 THIRD ANGLE PROJECTION SCALE 1:1
 MODEL ASSY
 LS BASE(M)
 NEC Display Solutions,Ltd.